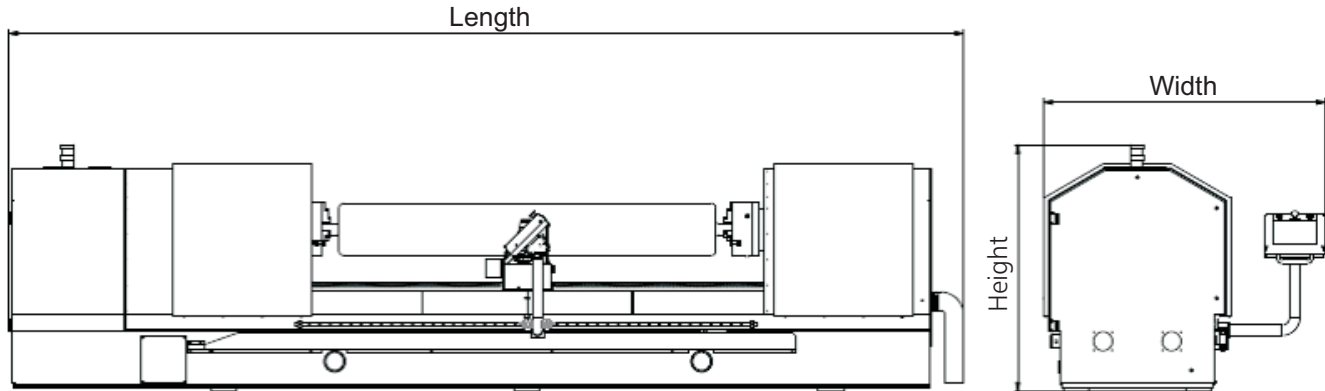


MicroStar™ MicroEngraving System



Machine Dimensions	1315	2215	3622
Length	4181 mm	5380 mm	6681 mm
Height	1697 mm	1727 mm	1919 mm
Depth	1409 mm	1439 mm	1601 mm
Weight	5000 kg	6000 kg	10,000 kg
Cylinder Dimensions	Min - Max	Min - Max	Min - Max
Circumference range	350 - 1525 mm	350 - 1525 mm	350 - 2200 mm
Shafted Cylinders			
Cylinder length (including shaft)	500 - 1500 mm	500 - 2700 mm	500 - 4000 mm
Cylinder weight (max)	1300 kg	1300 kg	900 kg
Shaftless (Hollow) Cylinders			
Face length	200 - 1300 mm	200 - 2290 mm	200 - 3600 mm
Cylinder weight (max)	900 kg	900 kg	900 kg

Electrical Data

Power supply: 1 x 240 V +/-13%, 50 or 60 Hz Power consumption: 4 kVA

Ohio Gravure Technologies Inc. • 2133 Lyons Road • Miamisburg Ohio 45432 USA
 Phone: (937) 428 1700 • Email: sales@OhioGT.com • Web: www.OhioGT.com